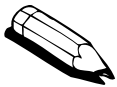
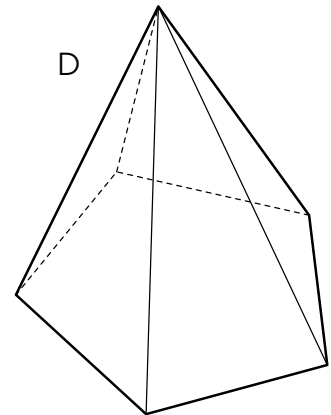
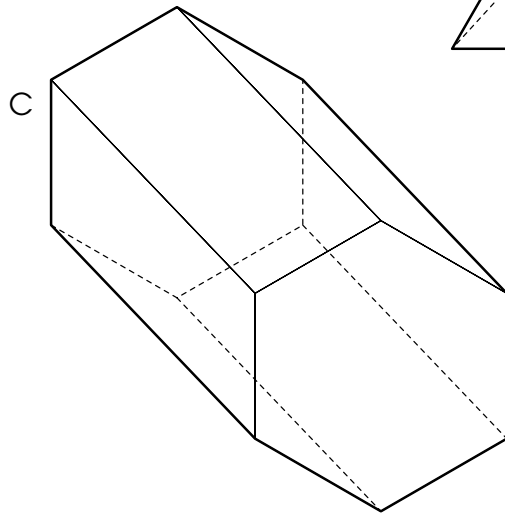
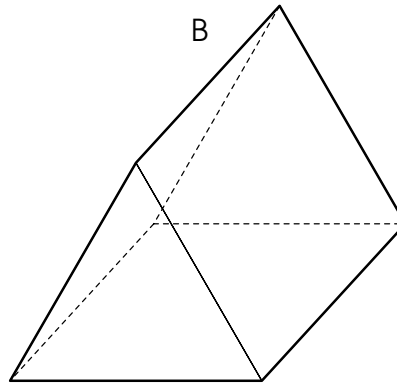
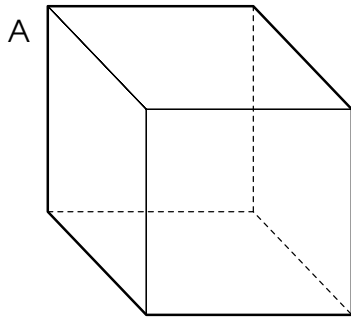




Features of 3-D Shapes



How many vertices (corners), faces (flat sides) and edges are there on these shapes?



1. Complete the table.

Object	Vertices	Faces	Edges
A			
B			
C			
D			

2. Can you see a pattern in your answers?
